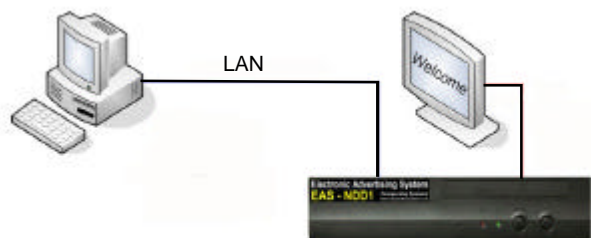
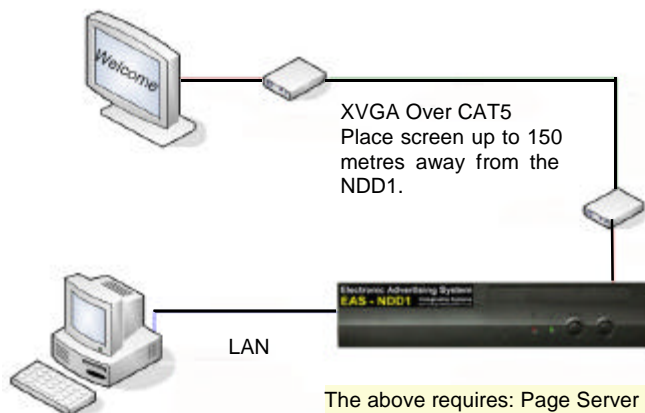


NDD1 single display system example



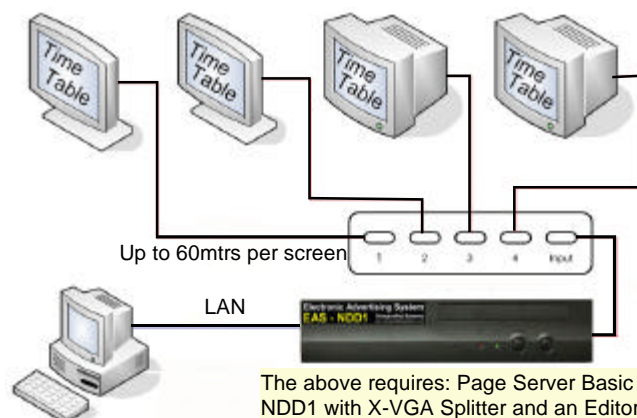
The above requires: Page Server basic NDD1 and an Editor

NDD1 with a CAT5 display extender



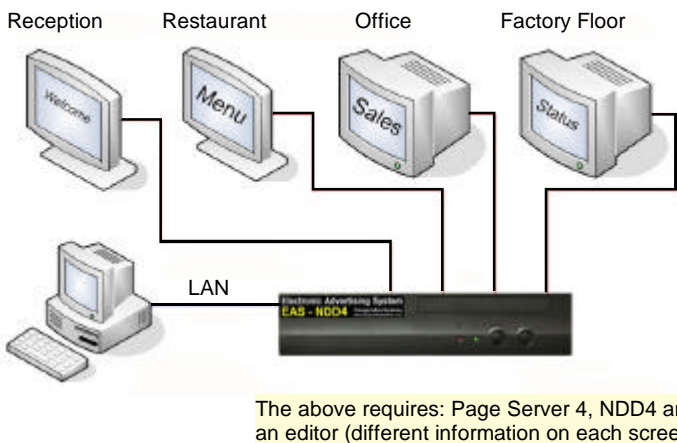
The above requires: Page Server Basic NDD1 and an Editor

NDD1 connected to four duplicated displays



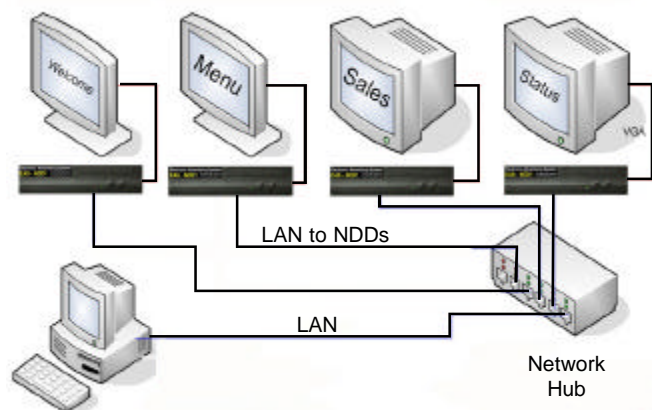
The above requires: Page Server Basic NDD1 with X-VGA Splitter and an Editor

NDD4 System



The above requires: Page Server 4, NDD4 and an editor (different information on each screen)

NDD1 Multiple Display System



The above requires: Page Server 4 4 off NDD1 units and an Editor

System Configuration Key



NDD1 controller PC is used to create the display pages with the system editor and to automatically upload all display material to the NDD units with Page Server software.



NDD unit. Connects to the display. Expand the system by adding more NDD units.



X-VGA Extender set using CAT5 cable. In normal use the NDD1 unit has a length to screen limit of a few metres. An extender set will increase this to over 100mtrs using standard CAT5 network cable.



Splitter. Sends the same output picture to multiple screens. Normally allows special screened cables to be 60mtrs in length. NDD1 units can be supplied with a 4 way built in splitter.